



# Peri Pro<sup>+</sup>

## FLOAT BASED CONDENSATE REMOVAL PUMP

The new Peri Pro<sup>+</sup> pump offers outstanding reliability with an industry first 5 year warranty\*. Built upon stepper motor technology and software control, this version offers smart pumping technology similar to the latest mini pumps, always minimising audible noise and tube wear.

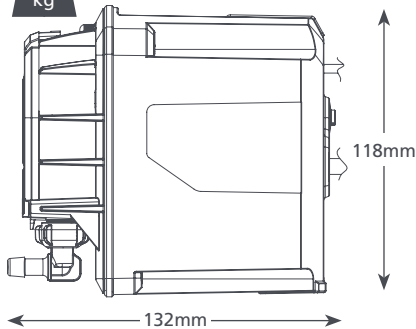


15L/h max. flow



12m max. head (flow rate 15L/h)

1.12 kg

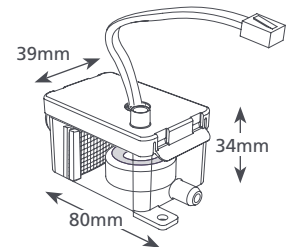
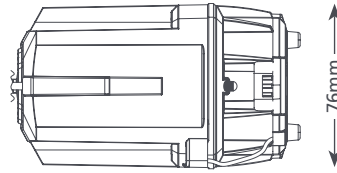
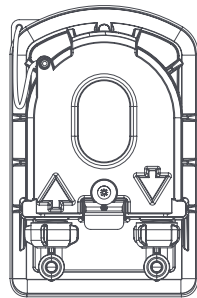


### KEY FEATURES

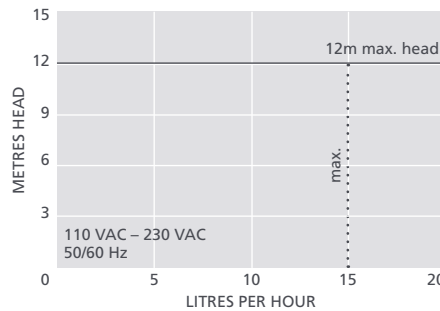
- 5 year warranty\*
- Smart features inc. Float switch
- Flexible installation with outstanding lift
- Easy to install with Patented mounting technology
- Low operational noise

### SUITABILITY

- High wall split systems; Ducted units; Floor standing & Chassis units
- Up to 20kW / 68,000Btu/h
- ✓ **Perfect for...** hotel bedrooms and other remote install locations



PERI PRO <sup>+</sup> @ 110-230 VAC 50/60Hz	
Max. flow	15L/h @ 12m head
Max. head	12m
Max. suction lift	3m
dB(A) @ 1m	21
Power supply	110-230 VAC, 0.2A, 50/60Hz
Rated	Continuously
Class	II appliance <input type="checkbox"/>
Max. unit output	20kW / 68,000 Btu/h
Max. ambient temperature	40°C / 104°F
Inlet/outlet	6mm ID
IP Protection	IP24
Safety switch	5A NC relay
Self priming	✓



OPTIONS	
Peri Pro <sup>+</sup>	FP3391

SUGGESTED XTRA ACCESSORIES		
Description		Part No.
Peri Spare Tube Kit		FP3394
1 Amp Fuse		FP2620
Tube To Soil Stack Adaptor		FP2038

**Xtra** For more installation accessories take a look at our Aspen Xtra range

IN THE BOX
Peristaltic Float pump • 3m Plug & play power / sensor cable • Wall mounted bracket • Fixing kit • Installation manual

Download manual at [aspenpumps.com](http://aspenpumps.com)

\* excludes tube and subject to correct installation and operation