



AIR CONDITIONING



REFRIGERATION



HEATING



silent+ MINI LIME

CONDENSATE REMOVAL PUMP

The Silent+ Mini Lime is designed around a 'total system approach' and includes many features to create a truly silent system. Perfect for offices and meeting rooms. ('Pump only pack' also available).



12L/h max. flow



10m max. rec. head
(flow rate 6L/h)



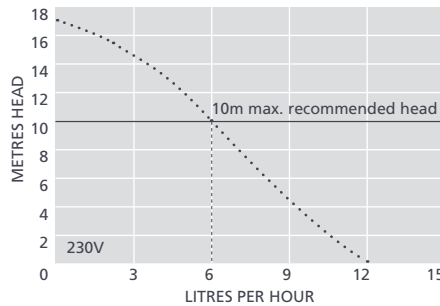
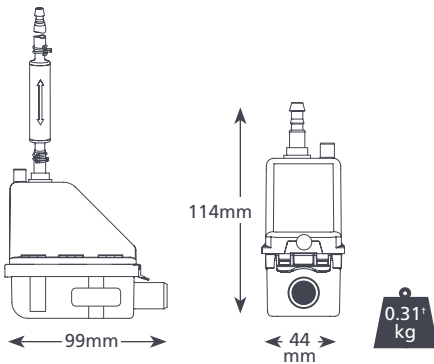
21dB(A)

KEY FEATURES

- Acoustic damper
- Pump sits in trunking elbow
- Left or right install
- Range of trunking systems

SUITABILITY

- Up to 16kW / 54,000Btu/h
- High wall split systems
- ✓ **Perfect for...** Commercial use where silence is important



SUGGESTED XTRA ACCESSORIES

System	Part No.
1 Amp Fuse	FP2620
Tube To Soil Stack Adaptor	FP2038
Vinyl Tube Braided 1/4" (6mm)	AX5100

Xtra For more installation accessories take a look at our Aspen Xtra range

SILENT+ MINI LIME SPECIFICATIONS

Max. flow	12L/h @ 0 head
Max. rec. head	10m
Max. suction lift	n/a
Sound level@1m	21dB(A)
Power supply	230V AC 50-60Hz 0.1A*
Rated	Non continuous
Class	II appliance <input type="checkbox"/>
Max. unit output	16kW / 54,000Btu/h
Max. water temp	40°C / 104°F
Discharge tube	6mm ID
IP Protection	IPX4
Safety switch	3.0A Normally closed
Thermal protection	✓
Fully potted	✓
Self priming	✓

SILENT+ MINI LIME SYSTEM OPTIONS

System	Colour	Part No.
Slimline	○ Ivory	FP3312
	○ White	FP3319
BBJ (Aerco)	○ Ivory	FP3316
	○ White	FP3320
Inoac	○ Ivory	FP3317
	○ White	FP3321
Artiplastic	○ Ivory	F3315
Silent+ Mini Lime Replacement [†]		FP3322

* Other voltages available
[†] Pump only – no trunking included

IN THE BOX

Silent+ Mini Lime pump (including 300mm discharge tube with connector and 1.5m hard wired power cable) • Acoustic damper and 1m lime discharge tube with connector • 220mm Lime green inlet hose 14mm ID • 150mm Vinyl breather tube 6mm ID • Anti siphon device • Elbow front and back • 800mm Conduit front and back • Internal conduit sleeve (Slimline system only) • Gasket (Slimline, BBJ and Inoac/Inaba systems only) • Ceiling plate • Drain connector kit • Fixing kit • Install manual

- 📖 Download manual at aspenspumps.com
- ▶ View install video at aspenspumps.com



aspenspumps.com

+44 (0)1323 848842

sales@aspenspumps.com

Making life easier for the installer