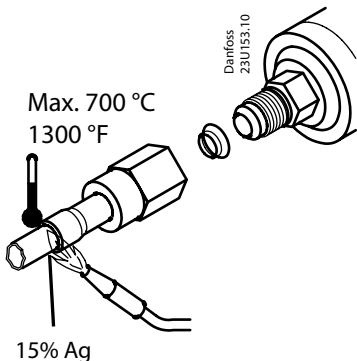
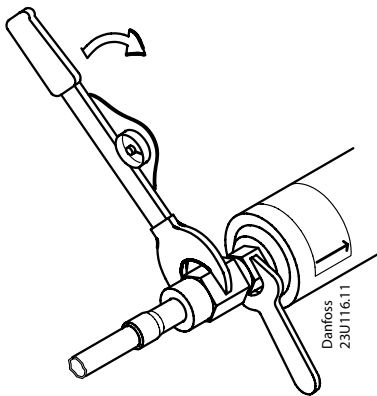


Installation Guide**Flare / solder adapter (accessories)****Type FSA**

Refrigerants
HCFC / non-flammable HFC

Max. working pressure
PS/MWP = 46 bar (667 psig)





Max. tightening torque

1/4 in. / 6 mm: 20 Nm / 14.8 lb-ft

3/8 in. / 10 mm: 30 Nm / 22.1 lb-ft

1/2 in. / 12 mm: 60 Nm / 44.2 lb-ft

5/8 in. / 16 mm: 100 Nm / 73.8 lb-ft

3/4 in. / 18 mm: 200 Nm / 147.5 lb-ft