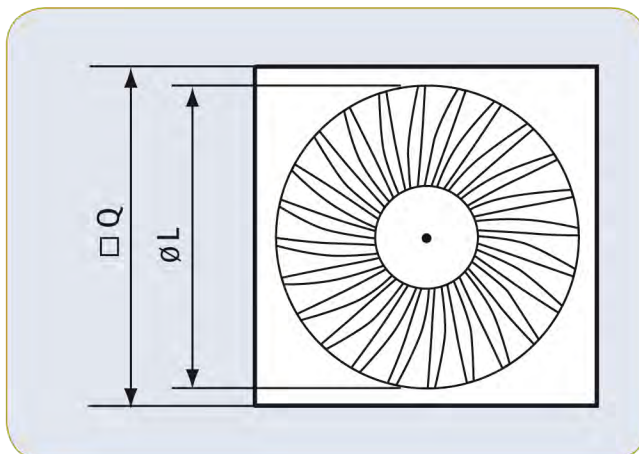
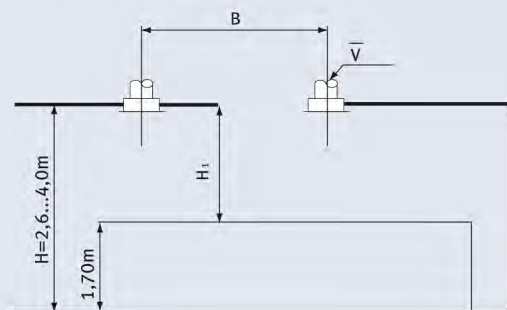


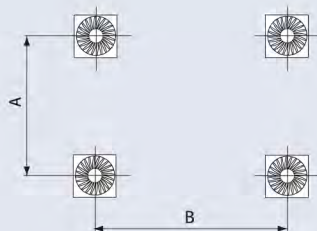
SWIRL DIFFUSERS SD-B



Diffuser locations SD-B



V [m^3/h] - air volume
 H_1 [m] - distance from the people area



A, B [m] - interval between two diffusers

- Structural elements are made of pressed galvanized steel,
- **Immovable, diagonal blades ensure even air stream distribution,**
- Swirl effect of air outflow ensures quick temperature balance in a room,
- Powder painted white (RAL 9016),
- Good for hot or cold air supply/exhaust,
- Easy installation in finished ceiling 600x600.

SWIRL DIFFUSERS SD-B

Diffuser Dimensions (mm)	$\varnothing L$ (mm)	$\square Q$ (mm)	
300	254		598
400	336		598
500	440		598
600	530		598

CHARACTERISTICS OF DIFFUSERS SD-B

H ₁ (m)	\bar{V}_{n1} (m/s)	V (m ³ /h)				
		145	180	215	250	325
		A (m)				
0.9		0.1	4.0	4.5	5.3	5.7, 6.0
	0.15	—	3.7	4.4	5.0	5.6
	0.2	—	—	—	4.2	5.0
	0.25	—	—	—	—	4.5
1.2	0.1	—	3.8	4.6	5.3	5.7
	0.15	—	—	—	4.1	4.9
	0.2	—	—	—	—	4.0
1.6	0.1	—	—	3.0	4.4	5.2
	0.15	—	—	—	—	4.0
2.0	0.1	—	—	—	3.0	4.6

V - air volume

A - interval between two diffusers

\bar{V}_{n1} - mean speed of air flow between two diffuser up to distance H₁

H₁ - distance between the ceiling and the people area

AIR EXHAUST

Diffuser Dimensions [mm]	Air volume [m ³ /h]	Pressure loss [Pa]	Noise level [dB(A)]
300	150	16	20
	250	40	35
	350	80	44
400/500	250	8	<20
	350	16	27
	500	36	40
	700	70	50
600	900	120	55
	350	8.5	<20
	500	22	26
	700	38	35
	900	65	43

AIR SUPPLY

Diffuser Dimensions [mm]	Air volume [m ³ /h]	Pressure loss [Pa]	Noise level [dB(A)]
300	100	6.5	<20
	150	13	24
	250	35	37
	400	9	53
	500	140	65
400	150	4.5	<20
	200	9	<20
	300	18	28
	400	36	38
500	500	50	44
	180	4.5	<20
	250	8	<20
	350	15	27
	550	38	42
600	700	60	47
	300	6	<20
	400	10	22
	600	20	32
	800	38	42
	1200	85	55