



Stud Clip



Unique ratchet design ensures quick installation and adjustment.



Channel



Rod



Surface

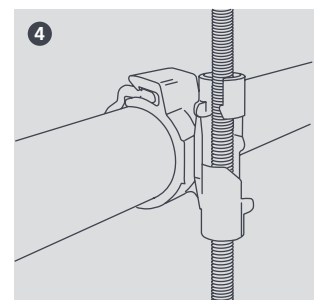
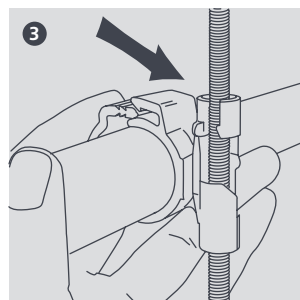
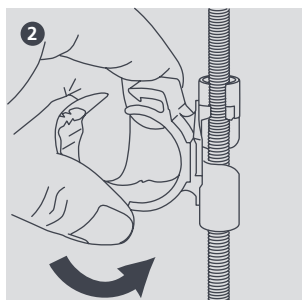
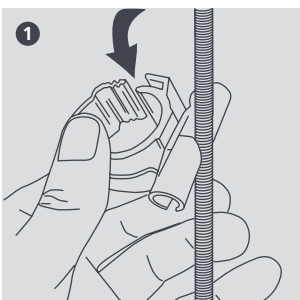
KEY FEATURES

- Available for M8 and M10 studding
- Fast fixing direct to studding
- Simple to install, adjust and relocate
- Fits metric and imperial pipe sizes

SPECIFICATIONS		SIZING OPTIONS				M8		M10		
Materials of construction	Nylon	Size	6mm	9mm	13mm	19mm	Part No.	Pack Qty	Part No.	Pack Qty
Max. temp	70°C	1/4"					B6800	10	B6814	10
Max. rec. distance per clip	1.2m	3/8"					B6802	10	B6816	10
		1/2"					B6801	10	B6815	10
		5/8"					B6803	10	B6817	10
		3/4"	1/4"				B6804	10	B6818	10
		7/8"	3/8"				B6805	10	B6819	10
		1"	1/2"	1/4"			B6806	10	B6820	10
		1 1/8"	5/8"	3/8"			B6807	10	B6821	10
		1 1/4"	3/4" 7/8"	1/2" 5/8"			B6808	10	B6822	10
		1 3/8"		3/4"	3/8" 1/2"		B6809	10	B6823	10
		1 1/2"	1 1/8"	7/8"	5/8"		B6810	10	B6824	10
		1 5/8"	1 3/8"	1 1/8"	3/4" 7/8"	1/4" 3/8"	B6811	10	B6825	10
		2"				1/2"	B6812	10	B6826	10
		2 1/8"	1 5/8"	1 3/8" 1 5/8"	1 1/8" 1 3/8"	5/8" 3/4" 7/8"	B6813	10	B6827	10



For further details please refer to our website aspenpumps.com



Information correct at time of going to press.