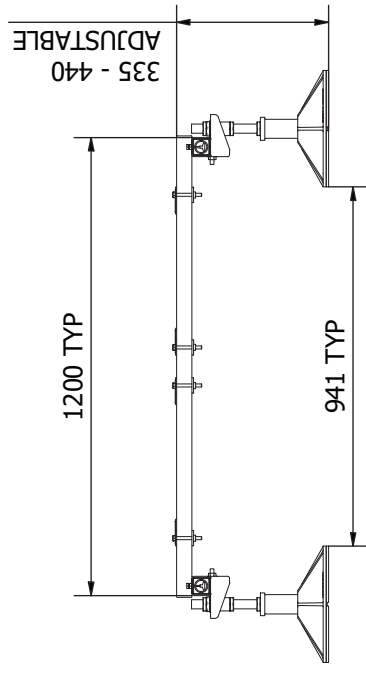
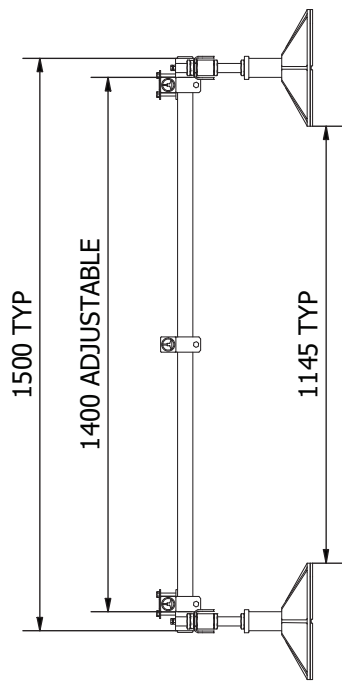
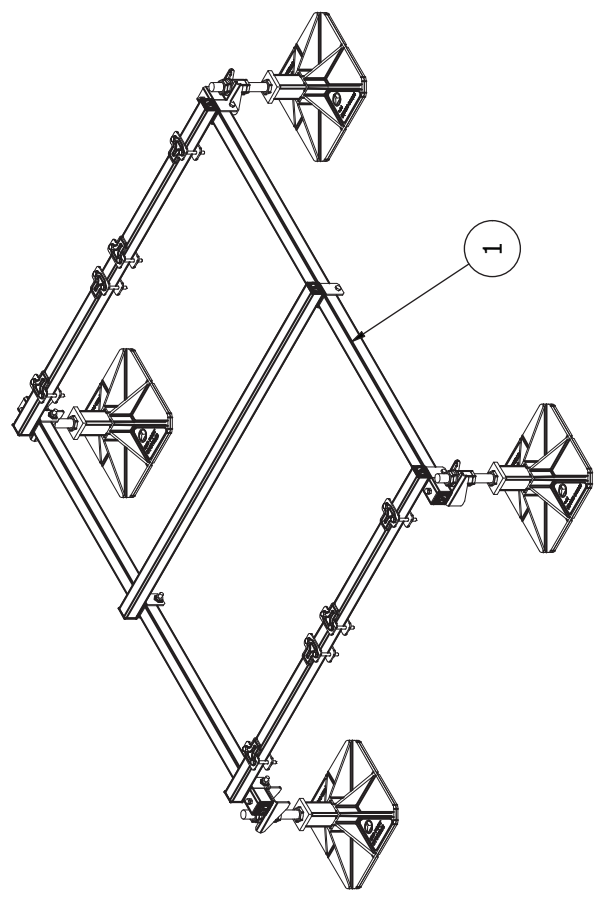
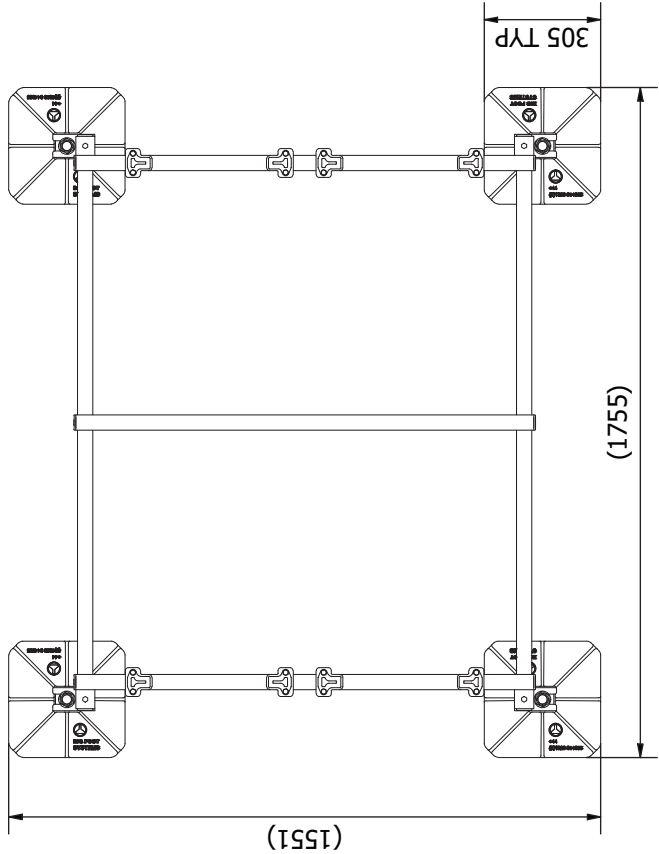


PROJECT REF:	
UNIT REF:	
FOOT PRESSURE:	
A UDL:	

Material grade: BS EN 10219-1:2006 (S235JR), Welding standard: BS EN ISO 15614-1: 2016. Galvanizing standard: BS EN ISO 1461:2009
 Reference specification document: "Custom Fabrication Specification" (BF-SPEC-050411) for further information
 Reference specification document "Big Foot Systems Steel Specification (BF-SPEC-230610) for further information

PARTS LIST			
ITEM	QTY	PART NUMBER	DESCRIPTION
1	1	B9731	MULTI FRAME XL



Installation and application considerations should include health, safety and environmental needs, regulations and standards, codes of practice, climate conditions, installation location, product orientation, evaluation of the roof structure, composition, surface and coatings, and other relevant factors. Big Foot Systems recommend that all rooftop products are handled and installed by suitably qualified persons. All scheme designs are based on the use of Big Foot Systems' products and materials only. Terms and conditions available on request.

REV	A
DATE:	
DRAWN:	
CHECKED:	
 3rd ANGLE PROJECTION	

SCALE:	1:14
DIMENSIONS IN	mm U.O.S
TOLERANCES:	0.0 ± 0.5mm U.O.S
SHEET 5 OF 14	

TITLE:	A3
DWG No.	
THIS DRAWING IS COPY/RIGHT AND THE PROPERTY OF BIG FOOT SYSTEMS LIMITED	

