

DATA SHEET

Si-52

Peristaltic pump

Sauermann® part #: SI52CE01UN23



This peristaltic pump is designed for all types of air conditioners up to 8 kW: wall units, air conditioning cabinets, ceiling units and ducted units.

The Si-52 is controlled by its float switch (3 levels: on, off, safety). The safety contact automatically stops the air conditioner compressor or solenoid valve to prevent condensate overflow.

Not for continuous operation.

Benefits



High performance

- Condensate discharge up to 12 m high
- Quiet, vibration-free operation



Extended reliability

- Thick, reinforced tube for longer service life
- Resistance to contaminated condensate (particles and chemicals)



Easy installation

- Compact size: L85 x W108 x H122 mm
- IP55 protection for installation in unventilated areas



Quick maintenance

- Easy-to-open front panel without tools for tube replacement
- Glass fuse replaceable in one easy step (standard cartridge 5 x 20)

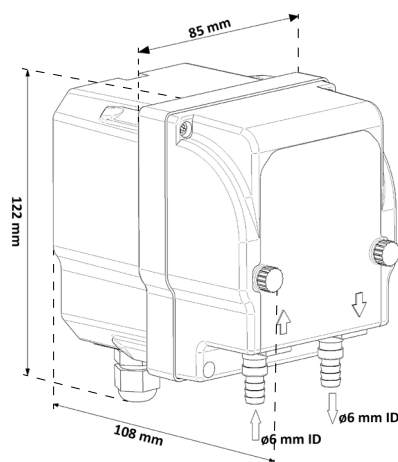
Kit content



- Peristaltic pump Si-52
- Cable: 1.7 m, including 2 wires for power supply (P & N)
- 2 safety switch wires (1.7 m)
- Easy 2-screw sliding plastic bracket
- Detection unit (SI2958, 1.5 m cable)
- Detection unit installation kit:
 - Vent tube int. Ø 4 x L 75 mm
 - Mounting rail
 - Adhesive
- 90° connector Ø 15 mm - 45 x 152 mm

Technical specifications

Max. flow rate	6 l/h
Max suction head	2 m
Max discharge head	12 m
Sound level in application at 1m (Measured in Sauermann acoustic lab, pump operating with water)	≤ 30 dBA
Mains supply	230 V~ 50/60 Hz - 8 W
Insulation class	☐ (double insulation)
Detection type	Detection unit float
Detection levels	On: 16 mm; Off: 11 mm; Safety: 19 mm
Safety switch	NF 8 A resistive – 250 V
Protection	IP55
Pump dimensions	L 85 x W 108 x H 122 mm
Detection unit dimensions	L 55 x W 38 x H 37.5 mm
Safety standards	CE & UKCA
RoHS directive	Compliant
WEEE directive	Compliant
Packaging	1.04 kg
Masterpack	24 pieces



Actual flow rate (l/h)

Max suction head	Max discharge head	The discharge flow is constant whatever the discharge or the suction head
2 m	12 m	6

Total tube length (int. Ø 6 mm; 1/4")



Applications

For use with any air-conditioning units up to 8 kW

- Wall mounted
- Ceiling suspended
- Computer room air conditioning
- Ducted

Accessories

Name	#Part
 Clear PVC hose int. Ø 6 mm (1/4")	ACC00909 (5 m) ACC00910 (50 m)
 Replacement head for Si-50, Si-51, Si-52	ACC00954
 Multi diameter reducing adaptor to connect tubes of Ø 15 mm (3/5"), Ø 6 mm (1/4")	ACC00927
 Replacement hose for Si-50, Si-51, Si-52	ACC00953
 6 self-sealing fittings for hose int. Ø 6 mm (1/4")	ACC00919
 Detection unit 1.5 m power cable	SI2958

