

# Si-30

## PISTON PUMP



### Versatile technology

The high performance Si-30 is suitable for air-conditioning units **up to 20 kW**.

The piston technology is specifically designed for removing condensates from air conditioning systems. The Si-30 is fully reliable, in any kind of environment. Its operating sound level will remain silent whatever the volume of condensates.

## BENEFITS



### • « Sauermann inside » : Patented technology

- **Increased performance:** Only one pump, for air conditioning unit up to 20 kW
- **High resistance to pollution** created by general environment. Capable of discharging small particles.
- **Proven Reliability.**
- The **Drain Safe Device** retains prime and prolongs the pump life.



### • Silent

- Quiet in operation: **20 dBA independently tested.**
- The size of the air-conditioning unit and volume of condensates to be removed does not affect the operational sound level of the pump.
- **Mounting bracket** specifically designed to **reduce vibration transmission to the wall / panel or pipework.**



### • Easy to install

- **Compact design.**
- Mounting bracket: allows the pump to be **wall mounted or hung from ceilings and pipework.**
- **Lockable plug-in power cord** to avoid unintended disconnection.



### • Energy saving

Improved performance and high flow rate **reduce operation time** and energy consumption.

## KIT CONTENTS



- Piston pump
- \* - Clear PVC tube Ø int. 6mm – L: 1m, fitted with a « Drain Safe Device » pre-mounted.
- Anti-vibration mounting bracket
- \* - 1.5 m lockable plug-in power cable: 2 power wires, 2 safety switch wires.
- 6 tie wraps, 2.5 x 100mm
- Detection unit (SI2958, 1.5m cable)
- Detection unit installation kit:
  - rubber elbow 90° Øint.15 x L 60mm,
  - vent tube Ø int 4 x L 75 mm,
  - mounting rail,
  - adhesive.

## APPLICATIONS

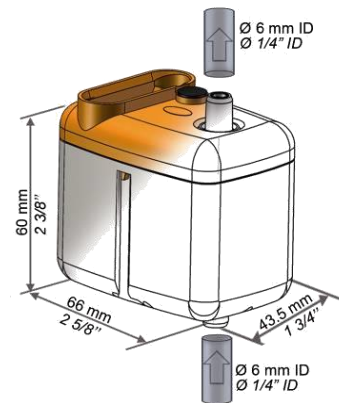
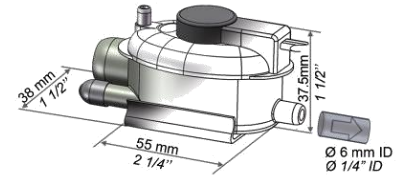
For use with any air-conditioning units, **up to 20 kW:**

- Wall mounted
- Ceiling suspended
- Ducted
- Fan-coils



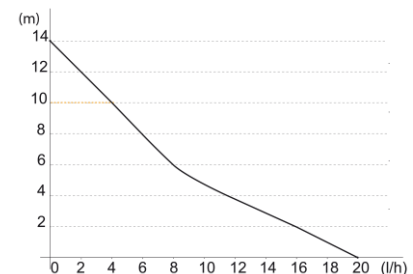
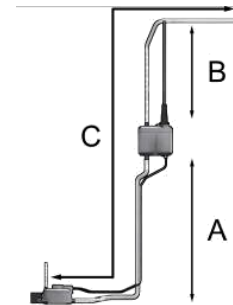
## TECHNICAL SPECIFICATION

<b>Max. flow rate</b>	<b>20 l/h</b>
<b>Max. suction head</b>	<b>3 m</b>
Max. discharge head	10 m (flow rate =4l/h)
Max pressure	14 m (flow rate =0l/h)
<b>Sound level at 1m</b> according to EN ISO 3744 (Measured at LNE lab, pump operating with water, out of application)	<b>20 dBA</b>
Sound level in application at 1m: (Measured in Sauermann acoustic lab, pump operating with water)	≤ 27 dBA
Mains supply	230V~ 50/60Hz - 14 W
Insulation class	☐ (double insulation)
Detection levels	ON: 16mm, OFF: 11mm, Safety: 19mm
Safety switch	NC 8 A resistive – 250V
Thermal protection (overheating)	115°C (auto-reset)
Operating conditions	100% - Continuous duty
Protection	IP20
Safety standards	CE & EAC
RoHS directive	Compliant
WEEE directive	Compliant
Packaging	0.48kg – L135 x W135 x H90 mm
Masterpack	20 pieces

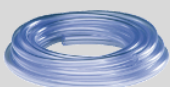


## ACTUAL FLOW RATES (l/h)

Suction head (A)	Discharge head (B)	Total hose length using Ø int 6 mm, 1/4" – (C)			
		5 m	10 m	20 m	30 m
0 m	0 m	20	19	18	17
	2 m	16	15	14	13,5
	4 m	11,5	11	10,5	10
	6 m		8,5	7,5	6,5
	8 m		6	5	4
1 m	0 m	14	13	12	11
	2 m	11	10	9	8
	4 m	7,5	7	6	5
	6 m		4,5	4	
2 m	0 m	11	10	9	8
	2 m	9	8	7	6
3 m	0 m	10,5	9	8	7
	2 m	8	7	6	5
	4 m		5	4	



## RECOMMENDED ACCESSORIES



**Clear PVC hose Ø int. 6mm (1/4")**  
ACC00105 : 5 m  
ACC 00150 : 50 m



**Drain Safe Device for hose Ø int. 6 mm (1/4")**  
ACC 00216